

# AVM328D



**MARS**  
ETS



HD 720P



3-Axis



MicroSD  
Card  
Recording



External I/O



PoE

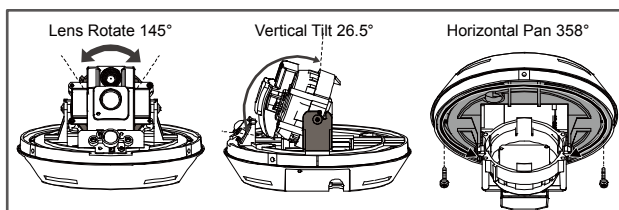


Mobile  
Surveillance

## 1.3 MP IR Dome IP Camera

### FEATURES

- **3-axis** mechanism for flexible ceiling and wall-mount installation



- MicroSD card (up to 64GB) support for **video storage**
- Microphone built-in for **audio recording**
- **POE (Power-over-Ethernet)** support to eliminate the use of power cables and reduce installation costs
- **External alarm I/O device** connection



- **ONVIF** (**ONVIFS**) standard supported to simplify system integration
- **Remote Surveillance**
  - **Fully compatible** with **iOS** and **Android** devices, and **Internet Explorer** on Windows operating system
  - **Push Video** available on your iOS and Android devices when used with Push Video NVR series



## ○ SPECIFICATIONS

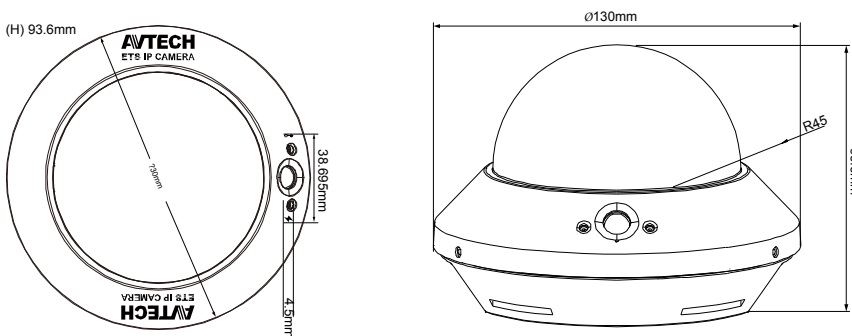
■ Network	
LAN Port	YES
LAN Speed	10/100 Based-T Ethernet
Supported Protocols	DDNS, PPPoE, DHCP, NTP, SNTP, TCP/IP, ICMP, SMTP, FTP, HTTP, RTP, RTSP, RTCP, IPv4, Bonjour, UPnP, DNS, UDP, IGMP, QoS, SNMP
ONVIF Compatible	YES (Profile S)
Number of Online Users	10
Security	(1) Multiple user access levels with password (2) IP address filtering (3) Digest authentication
Remote Access	(1) Internet Explorer on Windows operating system (2) 16CH Video Viewer on Windows & MAC operating system (3) EagleEyes on iPhone, iPad & Android mobile devices
■ Video	
Network Compression	H.264 / MPEG4 / MJPEG
Video Resolution	1280 x 1024 / 1280 x 720 / 640 x 480 / 320 x 240
Frame Rate	30fps
Multiple Video Streaming	4 (H.264, MJPEG, MPEG4)
■ General	
Image Sensor	1/3" SONY CMOS image sensor
Min Illumination	0.1 Lux / F1.5, 0 Lux (LED ON)
Shutter Speed	1/2 to 1/10,000 sec
S/N Ratio	More than 48dB (AGC off)
Lens	f3.8mm / F1.5
Viewing Angle	65.4° (Horizontal) / 49.9° (Vertical) / 80.4° (Diagonal)
IR LED	12 units
IR Effective Distance	Up to 10 meters
PIR Sensor	Detection Range 76° wide angle with up to 6m long distance at 2m height (under 30°C)
IR Shift	YES
White Balance	ATW
AGC	Auto
IRIS Mode	AES
POE	YES (IEEE 802.3af)
External Alarm I/O	YES (1 input / 1 output)
MicroSD Card Slot	YES (up to 64GB)
Operating Temperature	0°C ~ 40°C
Power Source (±10%)	12V / 1A
Current Consumption (±10%)	416mA
Power Consumption (±10%)	5.87W (PoE) ; 5.87W (PoN) ; 4.992W (DC Adapter)
■ Audio	
Microphone Built-in	YES
Line in	YES
Line out	YES

## ○ SPECIFICATIONS (CONTINUED)

■ Others	
Mobile Surveillance	iOS & Android mobile devices
Event Notification	FTP / Email
3-Axis	YES
Digital Pan / Tilt / Zoom	YES
Motion Detection	YES
RTC (real-time clock)	YES
Minimum Web Browsing Requirements	<ul style="list-style-type: none"> <li>• Intel core i3 or higher, or equivalent AMD</li> <li>• 2GB RAM</li> <li>• AGP graphics card, Direct Draw, 32MB RAM</li> <li>• Windows 8, Windows 7, Windows Vista &amp; Windows XP, DirectX 9.0 or later</li> <li>• Internet Explorer 7.x or later</li> </ul>

\*The specifications are subject to change without notice.

## ○ DIMENSIONS



Dimensional tolerance: ± 5mm

## ○ OPTIONAL BRACKET

